

STRATOS® 110



Transport Vessel for Liquid Helium

Storage and transport vessel for deeply cold liquid helium with vacuum super-insulation and long-term vacuum protection approved according to European Pressure Equipment Directive TPED.

Contributing factors to the high level of economic efficiency of the systems are the highly efficient usage of exhaust gases to cool the neck pipe, the radiation shields and the insulation.

Standard equipment:

- Safety neck pipe
- Vacuum seal-off and pressure relief devices
- Smooth-running, sturdy castors
- Safety attachment with exhaust, pressure build-up and evacuation connection
- overflow device which can be shut off (70 m bar)

Convincing advantages:

- Efficient helium-exhaust cooling
- Low evaporation rate (only 0.9%)
- Long-term vacuum protection by means of high-grade adsorption and getter materials
- Optimised super insulation by means of multi-layer vacuum insulation and computer optimised thermodynamic use of shields
- Inner and outer vessels are separately helium leak-tested
- Vacuum seal-off and pressure relief devices
- Robust construction made of highly corrosion-resistant cryogenic stainless steel
- Low maintenance requirements
- Wide range of accessories

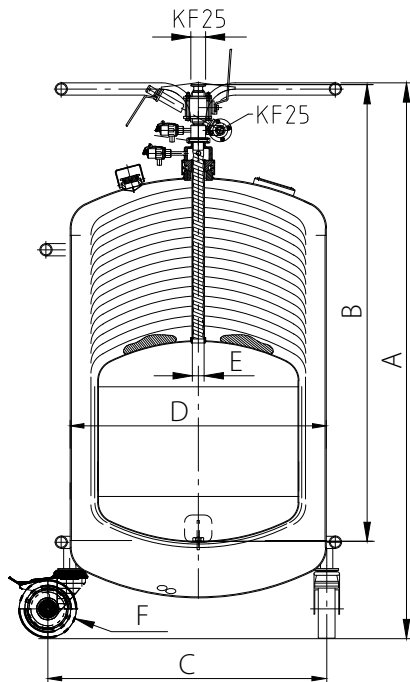
Robust, economical and practical



Options:

- Vacuum insulated transfer siphons
- Various siphon connections (Ø 9.6 / 10 / 12 / 12.7 / 16 mm)
- Level probe
- Level indicator
- Anti-magnetic castors
- cryo-protective equipment
- IATA approval

Further special equipment on request



Technical Data		
Vessel Description	STRATOS® 110	
Material	Stainless steel	
Approval marking	π	
Geometrical content	[l]	111
Operating overpressure	1.5	
Weight empty	[kg]	145
Weight full	[kg]	158
Static evaporation rate	[%/day]	0.9
Total height	A [mm]	1520
Outer diameter	D [mm]	700
Total width	C [mm]	784
Depth of immersion	B [mm]	1249
Castor diameter	F [mm]	160
Neck diameter	E [mm]	32
Siphon connection	KF 25	
Article number	78220309	

Contact

Cryotherm GmbH & Co. KG
 Euteneuen 4
 57548 Kirchen/Sieg, Germany
 ☎: +49 27 41 95 85-0
 📠: +49 27 41 69 00
 ✉: info@cryotherm.de
 🌐: www.cryotherm.de

Cryotherm Inc.
 5126 South Royal Atlanta Drive
 Tucker, GA 30084, USA
 ☎: +1 770-274-2410
 📠: +1 770-934-3384
 ✉: info@cryotherminc.com
 🌐: www.cryotherminc.com

