

The APOLLO[®]-Series



Reliability
we can be
proud of

Supply vessels for cryogenic liquid nitrogen with vacuum Superinsulation and long-time vacuum protection

Standard equipment:

- Integrated safety device on the vessel neck
- Combined positive pressure-relief and seal-off device
- Smooth running rolls and transport protection frame
- Separate transport plug DN 50 with safety chain
- Level indicator
- Decanting head with waste gas and overflow valve
- Integrated pressure build-up
- Decanting hose (1.5 meters) with phase separator

Advantages that convince:

- Efficient exhaust gas cooling system
- Optimized super-insulation
- Compact dimensions
- Robust design using highly corrosion-resistant stainless steel
- Long-term vacuum protection through high-grade adsorption and getter materials
- Multilayer vacuum insulation and computer-optimized thermodynamic design with shields
- Inner and outer vessel each tested separately for helium leaks
- Wide range of accessories

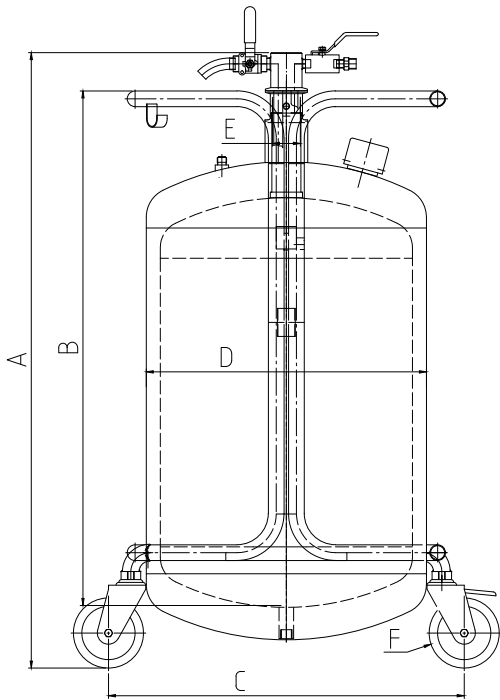
Rapid cold at the point of use



Options:

- Pressure build-up controller
- Pressure reduction controller
- Double withdrawal at the liquid side
- Double withdrawal at the gas side
- Triple withdrawal at the liquid side
- Triple withdrawal at the gas side
- Level indicator, capacitive, battery
- Level indicator, capacitive, 4 to 20 mA
- Fork lift pockets
- Set of guide rolls, antimagnetic
- Cryo protecting equipment, complete

Further extras are available on request



| | | Technical Data | | | | |
|-----------------------------|--------|-----------------------|------------------------|------------------------|------------------------|------------------------|
| Vessel Type | | APOLLO® 50 1.3 bar | APOLLO® 100 1.3 bar | APOLLO® 150 1.3 bar | APOLLO® 200 2.0 bar | APOLLO® 350 2.0 bar |
| Vessel material | | Stainless steel | Stainless steel | Stainless steel | Stainless steel | Stainless steel |
| Approval mark | | CE | CE | CE | CE0035 | CE0035 |
| Geometrical capacity | [l] | 49.5 | 99.2 | 149.5 | 198.5 | 348 |
| Operating overpressure max. | [bar] | 1.3 | 1.3 | 1.3 | 2.0 | 2.0 |
| Empty weight | [kg] | 44 | 62 | 79 | 100 | 160 |
| Full weight | [kg] | 85 | 145 | 204 | 266 | 450 |
| Static evaporation rate | [%/d] | 2 | 1.2 | 1 | 0.6 | 0.5 |
| Total height | A [cm] | 80 | 114 | 146 | 117 | 165 |
| Outside diameter | D [cm] | 50 | 50 | 50 | 70 | 70 |
| Total width | C [cm] | 65 | 65 | 65 | 80 | 80 |
| Immersion depth | B [cm] | 58.5 | 92 | 122 | 91 | 135 |
| Castor diameter | F [mm] | 125 | 125 | 125 | 160 | 160 |
| Neck diameter | E [mm] | 50 | 50 | 50 | 50 | 50 |
| Decanting head connections | | KF 50 | KF 50 | KF 50 | KF 50 | KF 50 |
| Article number | | 78202700 | 78202701 | 78202702 | 78202748 | 78202749 |

Contact

Cryotherm GmbH & Co. KG
 Euteneuen 4
 57548 Kirchen/Sieg, Germany
 ☎: +49 27 41 95 85-0
 📠: +49 27 41 69 00
 ✉: info@cryotherm.de
 🌐: www.cryotherm.de

